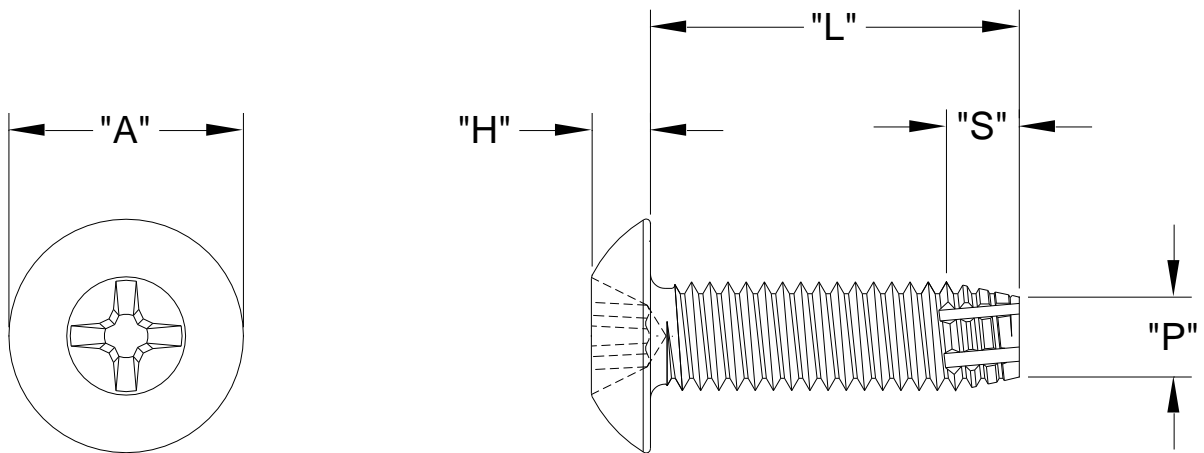


**TYPE 1 CROSS RECESS
TRUSS HEAD
TYPE "F" TCS**

XXXXPTFZ
APRIL, 2014
REV 00
PAGE 1 of 1

Nominal Screw Length	Tolerance On Screw Length
Up To & Including 3/4"	-0.03
Over 3/4" to 1-1/2" Inclusive	-0.05
Over 1-1/2"	-0.06



Nominal Screw Size	Basic Screw Size	"D"		"p"		"S"				Determinant For Point Taper Length	"A"		"H"		Driver Size	Recess Penetration Gaging Depth	
		Major Diameter		Point Diameter		Point Taper Length					Head Diameter		Head Height			Max.	Min.
		Max.	Min.	Max.	Min.	Short Screws		Long Screws			Max.	Min.	Max.	Min.			
#6 - 32	0.138	0.1380	0.1312	0.107	0.096	0.109	0.078	0.141	0.109	1/4	0.321	0.303	0.086	0.074	2.000	0.073	0.048
#8 - 32	0.164	0.1640	0.1571	0.132	0.122	0.109	0.078	0.141	0.109	1/4	0.384	0.364	0.102	0.088	2.000	0.088	0.063
#10 - 32	0.190	0.1900	0.1831	0.158	0.148	0.109	0.078	0.141	0.109	1/4	0.448	0.425	0.118	0.103	2.000	0.104	0.079

Standard: ASME B18.6.3
 Material: Carbon Steel,
 Heat Treat: Case Hardened Rc45 Min.
 Finish: Commercial Zinc, Bake & ROHS Compliant Clear Chromate
 Per ASTM F1941 Code Fe/Zn 3A

Common Uses:
 Low profile, large bearing surface, excellent for reducing embedment in softer materials; Used in sheet metal $\geq 60\%$ of screw size; Painted extruded sheet metal; Paint clearing in tapped holes.